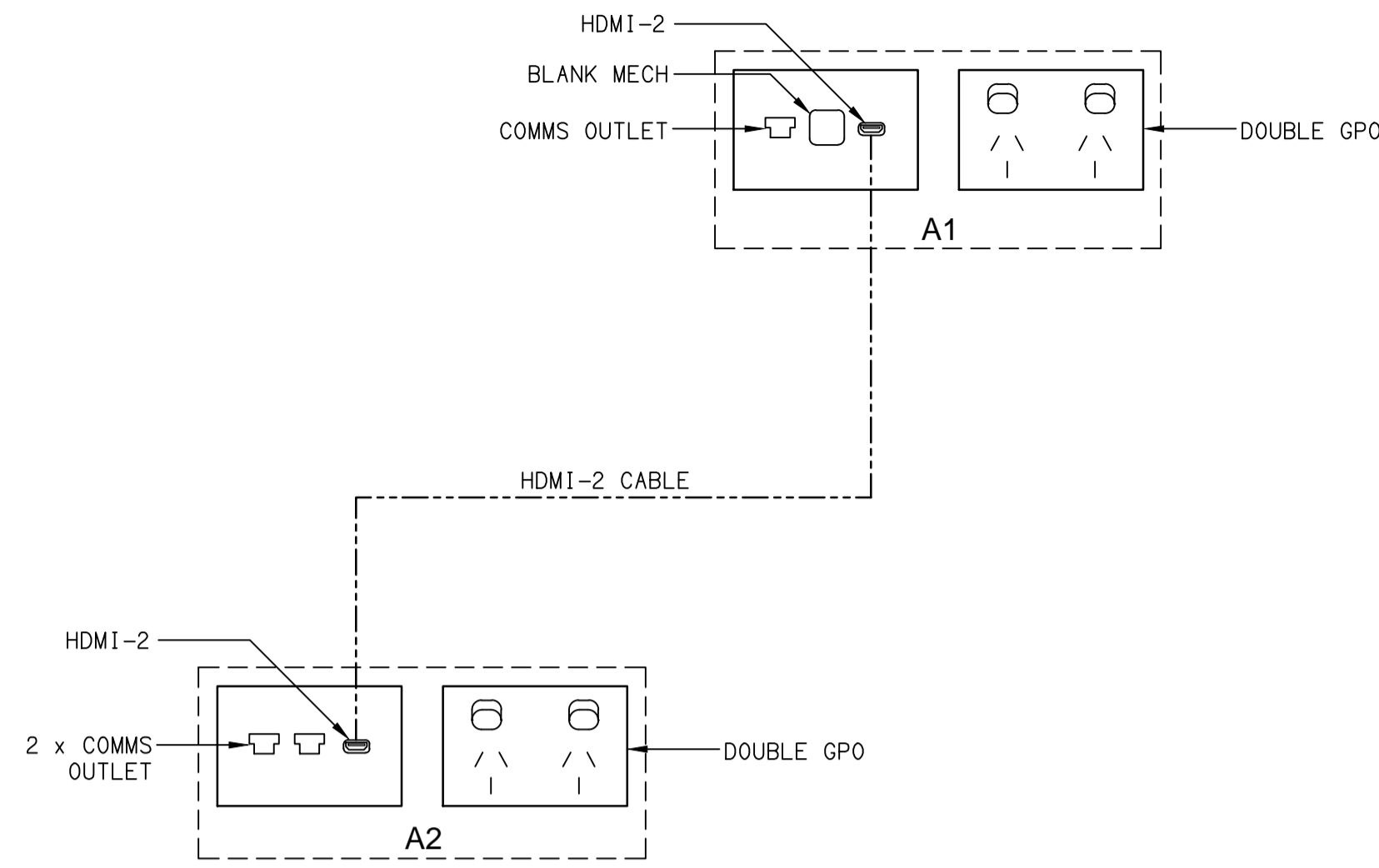
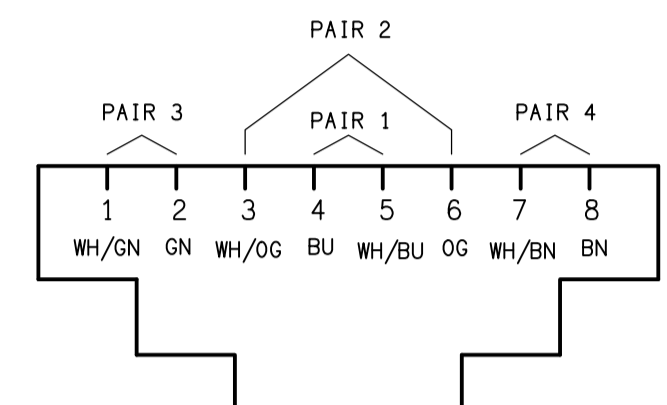


LEGEND

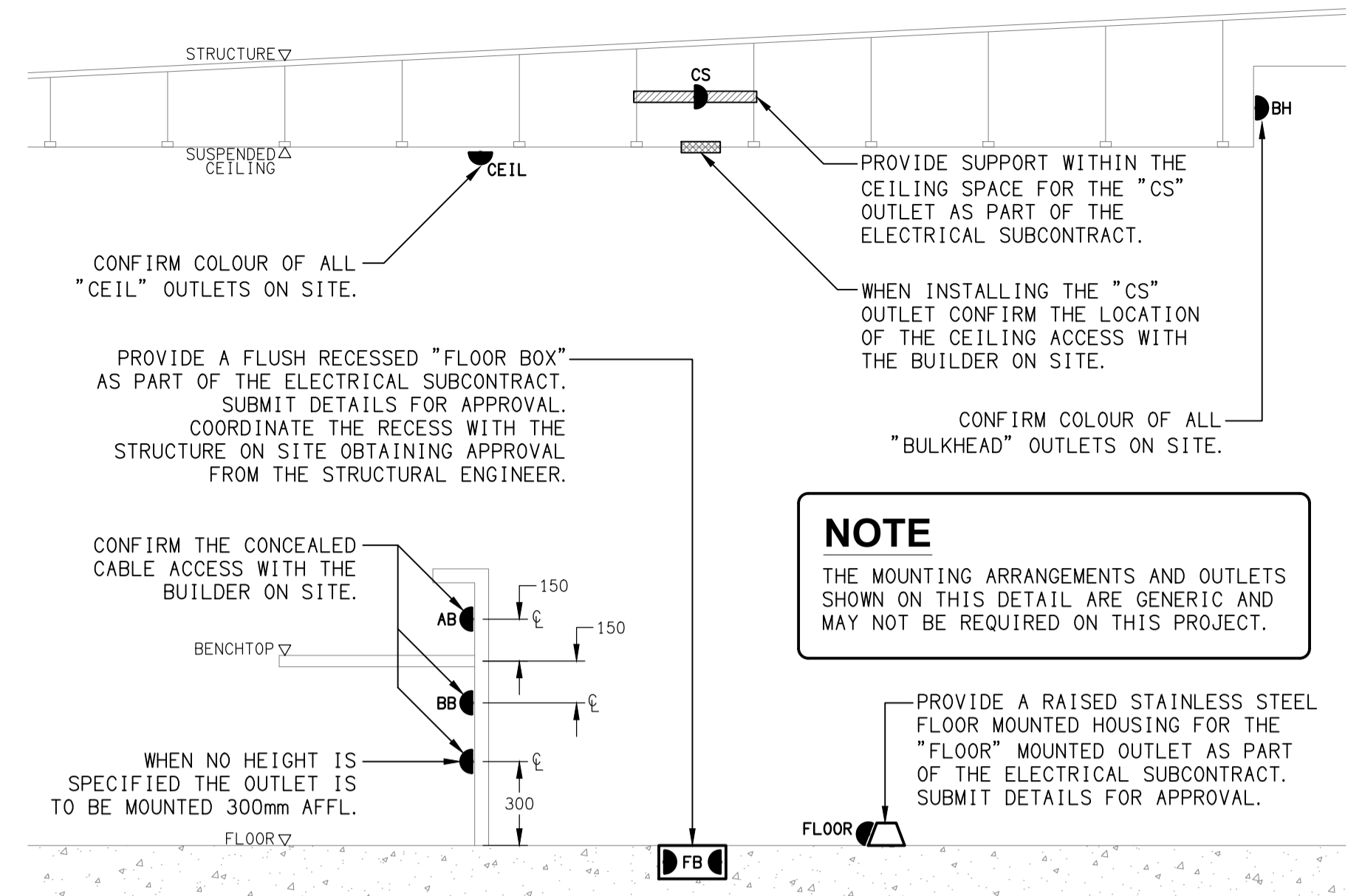
- ELECTRICAL SERVICES SWITCHBOARD.
- SWITCHBOARD / CONTROL PANEL NOT PROVIDED AS PART OF THE ELECTRICAL SUBCONTRACT.
- SINGLE POWER OUTLET.
- DOUBLE POWER OUTLET.
- SPECIAL PURPOSE POWER OUTLET.
- CABLE ACCESS, TYPE AS NOTED.
- SINGLE PHASE ISOLATOR.
- THREE PHASE ISOLATOR.
- LIGHTING PRESENCE DETECTOR SWITCH.
- ONE-WAY LIGHT SWITCH.
- TWO-WAY LIGHT SWITCH.
- CIRCUIT LINE.
- SWITCH LINE.
- POWER CIRCUIT DESIGNATION. DENOTES DB AND CIRCUIT.
- ELECTRICAL EQUIPMENT AS NOTED.
- RJ45 COMMUNICATIONS OUTLET.
- REFER TO DETAIL NOTED FOR THE AREA SHOWN HATCHED. ADDITIONAL OUTLETS & FITTINGS MAY BE SHOWN ON DETAIL.
- E1: RECESSED GENERAL LED EMERGENCY LIGHT.
- EX: EMERGENCY LED EXIT LIGHT.
- L1: RECESSED DOWNLIGHT.
- L2: 600 x 600 RECESSED FLAT PANEL C/W PLASTERBOARD KIT.
- L3: WALL MOUNTED BUNKER LIGHT.
- Sx: SUSPENDE FEATURE LIGHT AS PER Sx DETAIL.



SCHEMATIC
A1 & A2 FACEPLATES
NOT TO SCALE



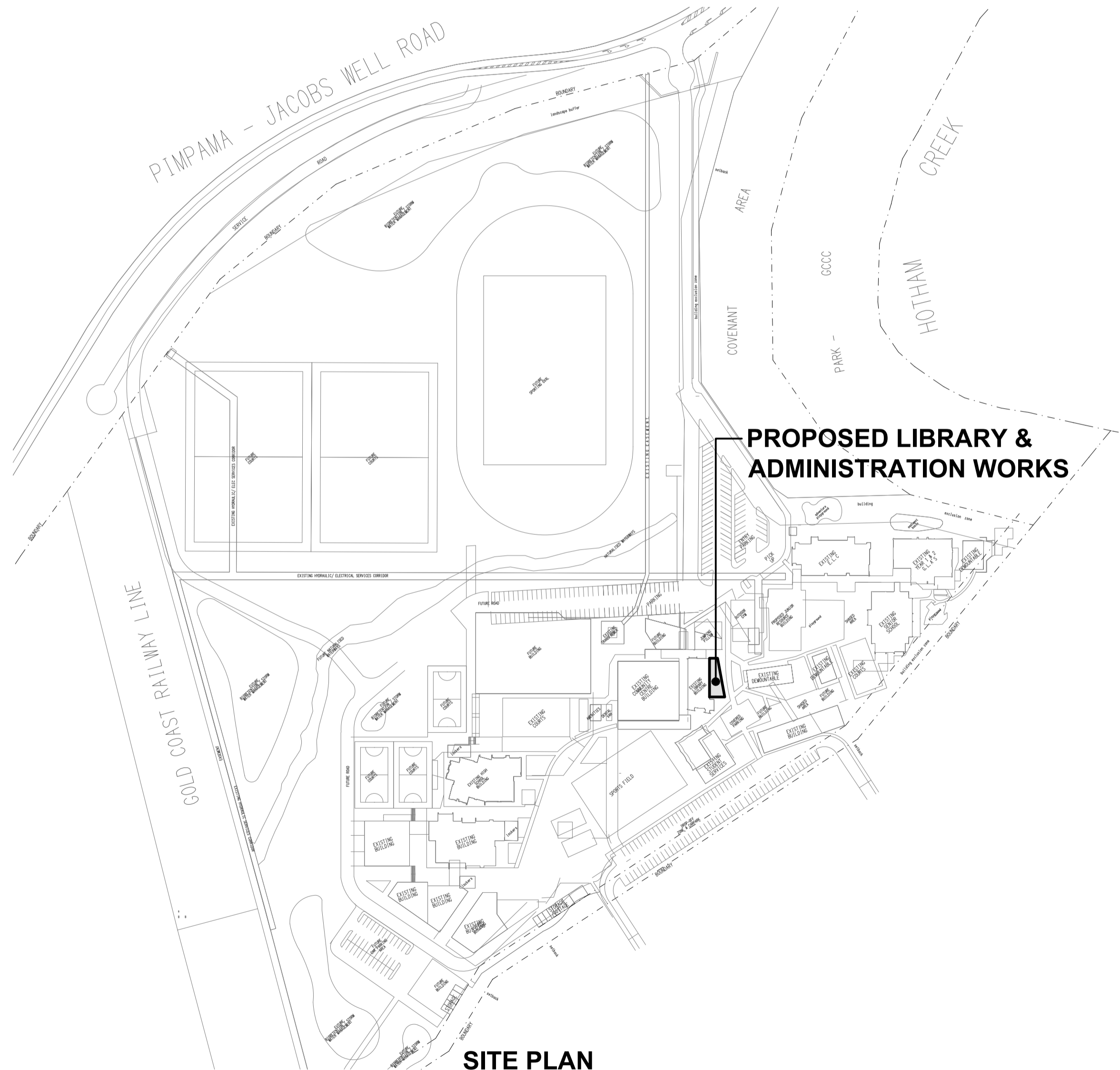
SCHEMATIC
RJ45 PINOUT CONFIGURATION
NOT TO SCALE



DETAIL
TYPICAL OUTLET MOUNTINGS
NOT TO SCALE

NOTE
THE MOUNTING ARRANGEMENTS AND OUTLETS SHOWN ON THIS DETAIL ARE GENERIC AND MAY NOT BE REQUIRED ON THIS PROJECT.

NOTE
ALL ELECTRICAL PENETRATIONS THROUGH THE ROOF SHEETING ARE TO BE IN LINE WITH THE STRUCTURAL OR MECHANICAL SERVICES PENETRATIONS TO AVOID DEDICATED FLASHINGS FOR THE ELECTRICAL SERVICES.



SITE PLAN
LIBRARY & ADMINISTRATION WORKS
SCALE: 1:2000

ELECTRICAL DESIGN GROUP BRISBANE PTY LTD
ACN 092 710 793
TRADING AS:
ELECTRICAL DESIGN GROUP

THE COPYRIGHT OF THIS DRAWING REMAINS THE PROPERTY OF THE ELECTRICAL DESIGN GROUP.
USE FIGURED DIMENSIONS IN PREFERENCE TO SCALE.
ALL DIMENSIONS TO BE VERIFIED ONSITE.

ELECTRICAL DESIGN GROUP
ELECTRICAL BUILDING SERVICES CONSULTANTS
BRISBANE GOLD COAST
P.O. Box 15, Sherwood Q.4075
Phone: (07) 3278 4375
Email: brisbane@edg.net.au
Web: www.edg.net.au

PROJECT:
**KINGS CHRISTIAN COLLEGE - PIMPAMA
PRIMARY LIBRARY & ADMINISTRATION PIM20**
198 PIMPAMA JACOBS WELL ROAD, PIMPAMA, QUEENSLAND

A	PRELIMINARY	04/03/2024
REV:	DESCRIPTION:	DATE:
DRAWING: ELECTRICAL SERVICES LEGEND & DETAILS		
SCALE: NOT TO SCALE AT A1	PROJECT NO: C3210a	DRAWING NO: E01
		REVISION: A